



RoHS Compliant 

E198027

Circuit Breaker with On/Off Capability

This unique circuit breaker consists of a thermal circuit breaker and a rocker switch style housing. When an overload conditions occurs, the contacts will break apart. By returning the actuator to the OFF position then back to ON, the circuit breaker mechanism will reset.

Specifications

Electrical Ratings	3A~20A @ 125/250VAC
Electrical Life	10,000 cycles typical
Contact Resistance	<30mΩ initial @ 2-4VDC, 100mA
Dielectric Strength	3000Vrms min (terminal - terminal)

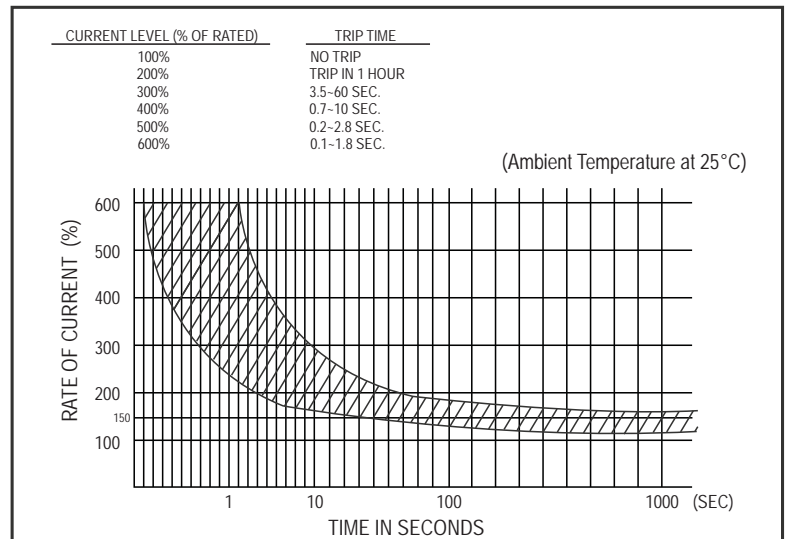
Insulation Resistance	>1000MΩ min
Interrupt Capacity	2000A @ 125VAC; 1000A @ 250VAC
Operating Temperature	-40°C to 85°C
Storage Temperature	-40°C to 85°C

Materials

Actuator	Poly Carbonate
Housing	Nylon
Rivits	Aluminum
Contacts	AgSnO ₂
Terminals	Brass

Trip Times / Current Levels

% of Rated Current	Trip Time
100	No Trip
150	< 1 Hour
200	3.5 - 60 sec
300	0.7 - 10 sec
400	0.35 - 5 sec
500	0.2 - 2.8 sec
600	0.1 - 1.8 sec



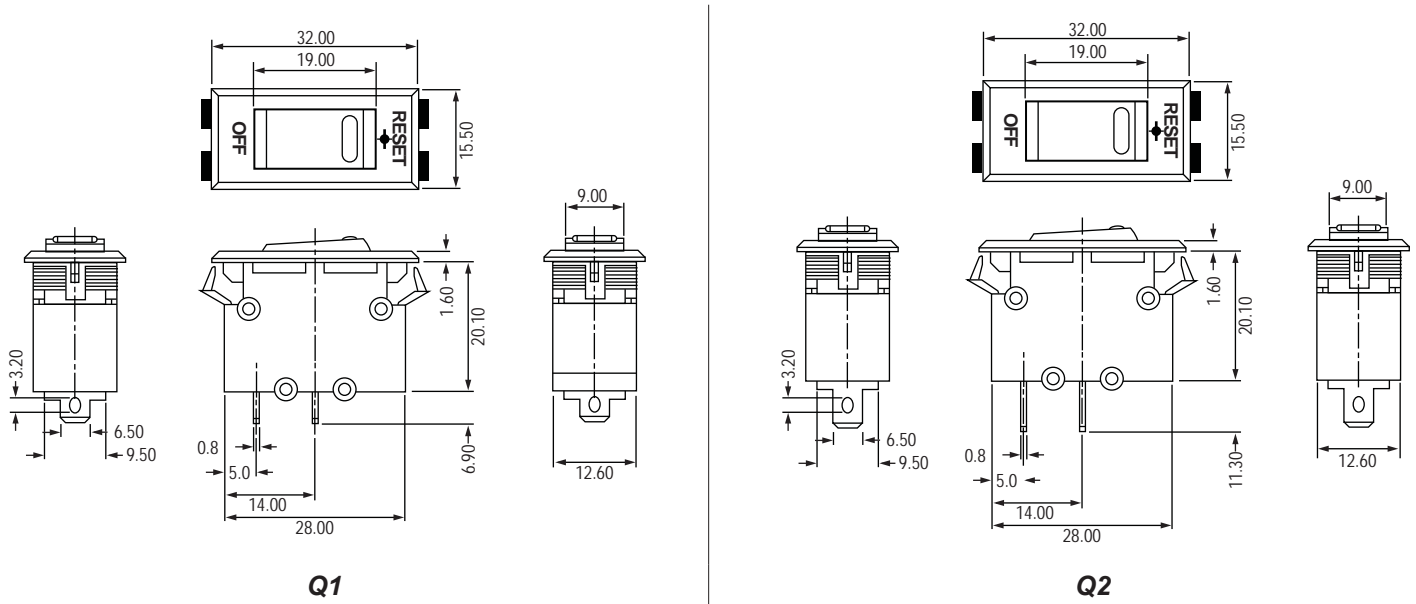
Ordering Information

1. Series	CITR2	15	Q2	L	S
CITR2					
2. Contact Ratings					
03 = 3A	10 = 10A				
04 = 4A	12 = 12A				
05 = 5A	15 = 15A				
06 = 6A	20 = 20A				
08 = 8A					
3. Termination Options					
Q1 = Short quick connects					
Q2 = Long quick connects					
4. Lamp Options					
A = 250VAC neon, translucent red actuator					
N = No lamp, opaque red actuator					
L = 125VAC neon, translucent red actuator					
K = No lamp, translucent red actuator					
G = 125VAC neon, translucent green actuator					
H = No lamp, translucent green actuator					
5. Printing Options					
None = No printing					
S = Reset / OFF					

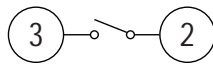
CITR2

Circuit Breaker with On/Off Capability

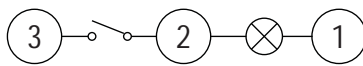
Dimensions



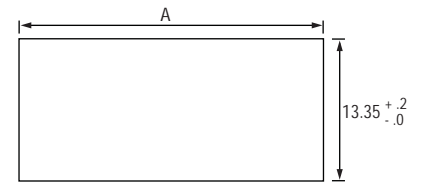
Schematics, PC Layout & Panel Mounting



Without Lamp



With Lamp
125VAC, Neon, 25K Hours, 68KΩ Res.



Thickness	Dim "A"	
0.8 ~ 1.0	28.4	+ .1 / - .0
1.1 ~ 1.4	28.8	+ .1 / - .0
1.5	29.0	+ .1 / - .0

Ambient Temperature Compensation Table

Ambient Temperature in °C	Rating Correction Factor 3A~20A
-20	x1.7
-5	x1.2
10	x1.1
20	x1.05
25	x1.0
30	x0.9
40	x0.8
50	x0.7
60	x0.6
85	x0.45